

CURRENT TRANSFORMERS

Model 143 Ratio to 5 (**Window Size:** 7.31" Diameter)

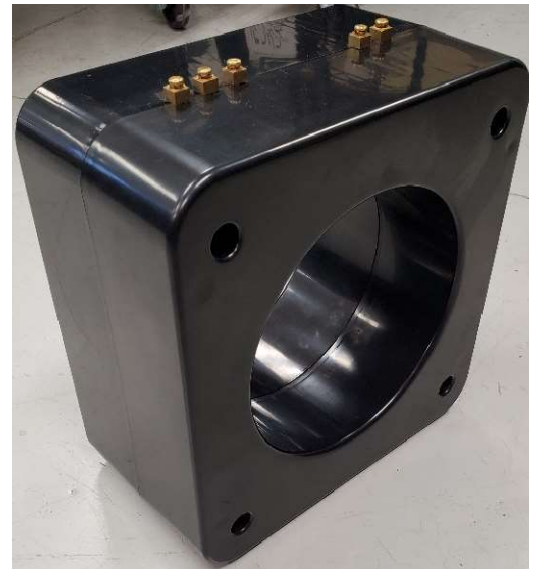
Application: Generally used for relaying and metering.

Frequency: 50-400 Hz

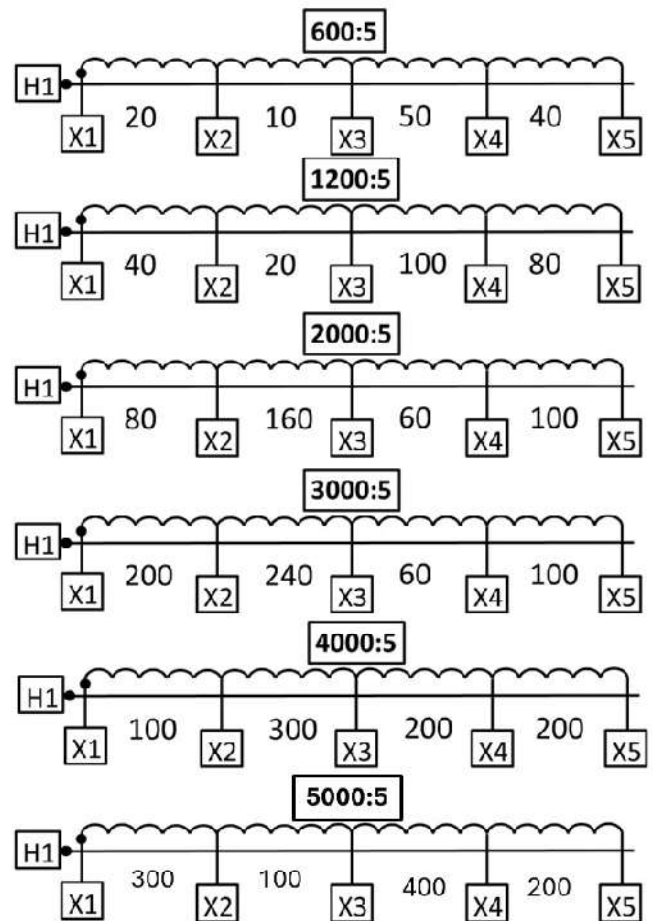
Insulation Level: 600 Volts, 10Kv BIL Full Wave

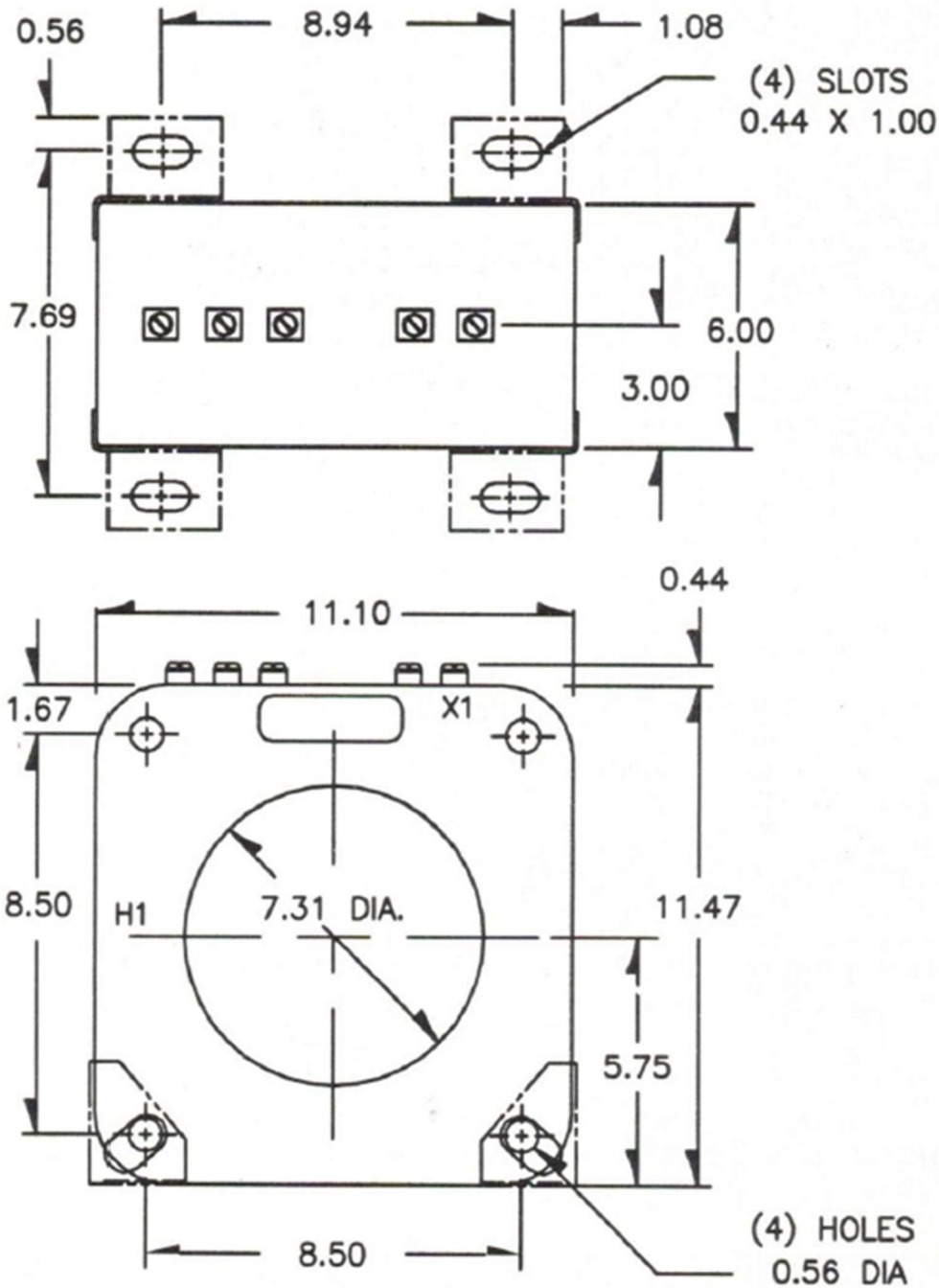
Standards: CSA 66.1-06, CSA 66.2-06, IEEE C 57.13, and UL 506

- Terminals are brass screws with female receptacles 8-32 with one flat washer and one lock washer.
- Mounting brackets kits for the Model 143 are available when requested, sold separately.
- Approximate weight: 60 lbs.



Model	Relay Class	Continuous Thermal Rating Factor	
		@ 30 Deg C	@ 55 Deg C
143-601	C200	2.0	1.5
143-122	C400	1.5	1.0
143-202	C400	1.33	1.0
143-302	C800	1.0	0.8
143-402	C800	1.0	0.6
143-502	C800	1.0	0.6





***Note-Mounting brackets for the 143 are sold separately**

Rev. A 09/11/2024